

GSLs-ELAN-TV Short Arm Easy Lift-Up Stay

Upward opening - Short arm

Opening Direction	Description	Non-handed	Maximum Door Moment
 Upward-opening	Lift-assist Free stop Soft-down	-	4.60-6.17 N·m/pc (47-63 kgf·cm/pc)

Features

- Short-arm variant of easy lift-up stay **GSLs-ELAN**
- Patented mechanism controls door opening and closing softly and smoothly
 - Door can be opened with a slight force (see Fig.1)
 - Door can be stopped in any position in the range of about 30° to fully opened position (see Fig.2)
 - Door closes slowly in the range of about 0° to 30° (see Fig. 3)
- Easy installation from the front for both left and right
- Passed 30,000 life cycle test

Notes

- Operating temperature: 0°C - 40°C
- Handed: Specific left and right-handed
- Never push down the arm of stay before door installation
- Do not open the door further in fully opened position
- Do not open and close the door roughly

Parts Included

- Countersunk head tapping screw 3.5×35
- Binding head tapping screw 3.5×15
- Truss head screw M4×5 (for mounting plate)

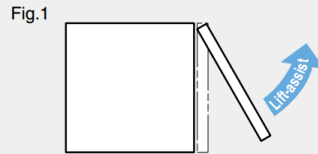
Sold Separately

- Mounting plate **GSLs-ELAN-AZ**

3 Functions in 1 Stay

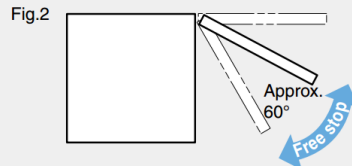
● Lift-assist

Door can be opened with a slight force.



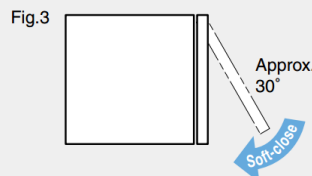
● Free stop

Door can be stopped in any position in the range of about 30° to fully opened position.



● Soft-close

Door closes slowly in the range of about 0° to 30° even if you release your hands from the door.

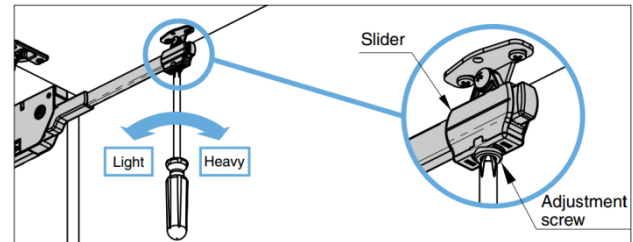


Right side installation shown.

Compact body maximizes space in cabinet / enclosure interior



Adjustment of Lift-Assisting Force

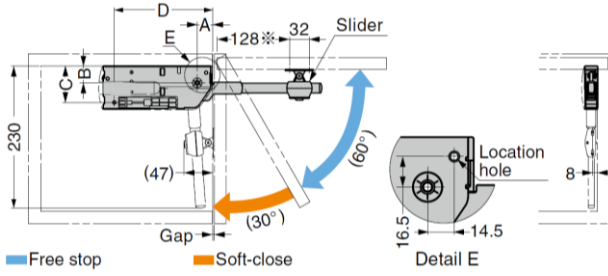


- If the door opens and closes improperly, turn the adjustment screw at the bottom of the slider to adjust door movement.

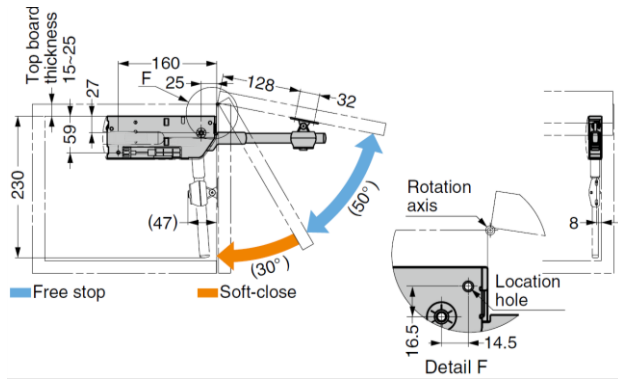


Installation Illustration: Right side installation for downward-opening 90°. Left side installation is symmetrical

With concealed hinge



With single knuckle hinge



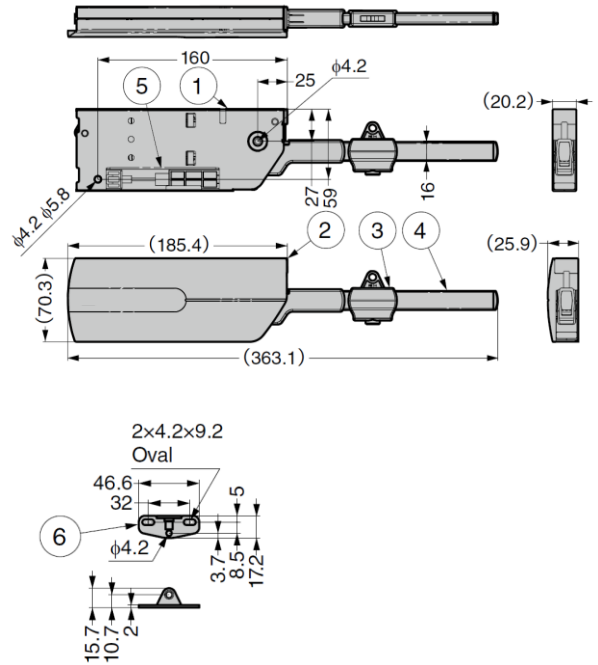
Hinge Type	Bore Distance	A	B	C	D
G230-(C)26/19T (19 mm Overlay)	5	25	27	59	160
GH230-(C)26/26T (26 mm Overlay)	7		37	69	
G230-(C)26/9T (9 mm Overlay)	5		47	79	
GH230-(C)26/16T (16 mm Overlay)	7		53	85	
G230-(C)26/0T (Inset)	5	Door Thickness	47	79	A+135
GH230-(C)26/0T (Inset)	7	+ 27	53	85	

Table above is the combination with mounting plate G230-P4W-30T or G230-P4W-32T

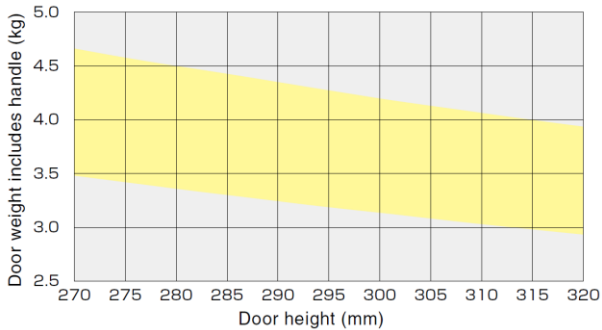
If the clearance between cabinet and door is 4mm or more, install the mounting plate according to a dimension obtained by subtracting the clearance from ※ marked dimension (Installation position of the body unit is unchanged).

(Example) When the gap between cabinet and door is 5mm: 168 - 5 (Gap) = 163
If the connection between the body and cabinet is weak due to cabinet material etc., tighten a screw additionally in the location hole shown left. (Additional screws are sold separately)

No.	Part Name	Material	Finish/Colour
①	Body	Steel (SECC)	-
②	Body Cover	ABS	Light Grey
③	Adjustment Slider	POM	Dark Grey
④	Tip Arm	Aluminium Alloy	Anodised
⑤	Damper	-	-
⑥	Mounting Plate	Steel (SPCC)	Nickel



Door Size Ranges



Mounting Plate for Aluminium Frame Door (Sold Separately)

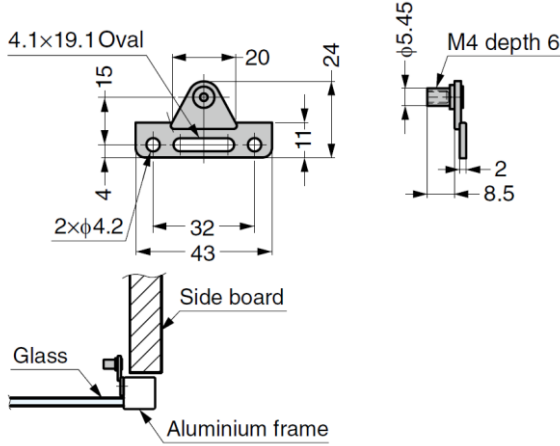
Part No.	Type
GSLs-ELAN-AZ	Body
GSLs-ELAN-AZS	Screw Set

Part No.	Pipe	Material	Finish	Maximum Door Moment (per piece)	
GSLs-ELAN-HR-TVS	Right-handed	Aluminium Alloy / ABS	Anodised / Light Grey	4.6 ~ 6.17 N.m	47 ~ 63 kgf.cm
GSLs-ELAN-HL-TVS	Left-handed				

GSL-ELAN-AZ Mounting Plate for Aluminium Frame Door

Features

- Used for installing lid stays **GSL-ELAN** and **GSL-ELAN-TV** to aluminium frames



Body

Part No.	Material	Finish
GSL-ELAN-AZ	Steel	Nickel

Screw Set

Part No.	Material	Finish
GSL-ELAN-AZS	Steel	Nickel